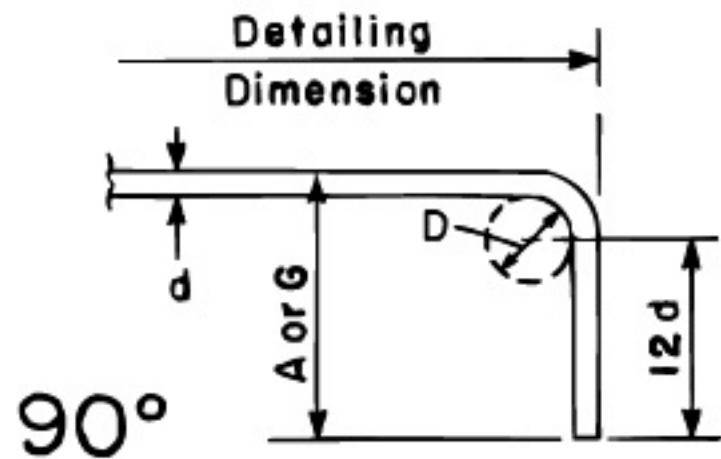
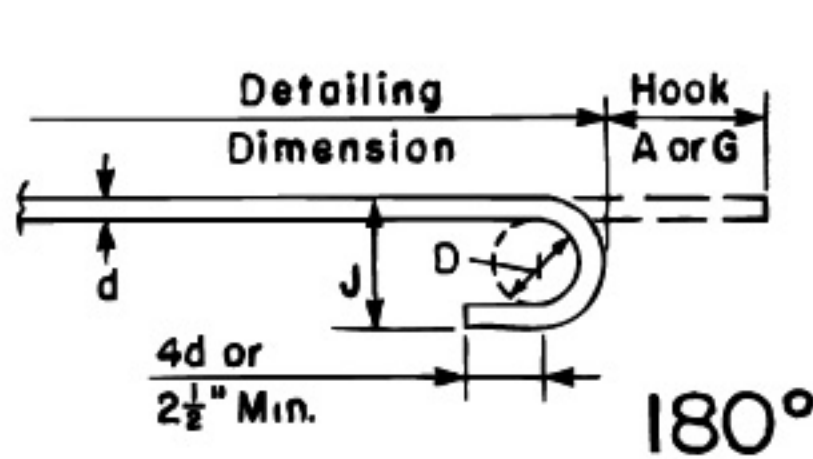
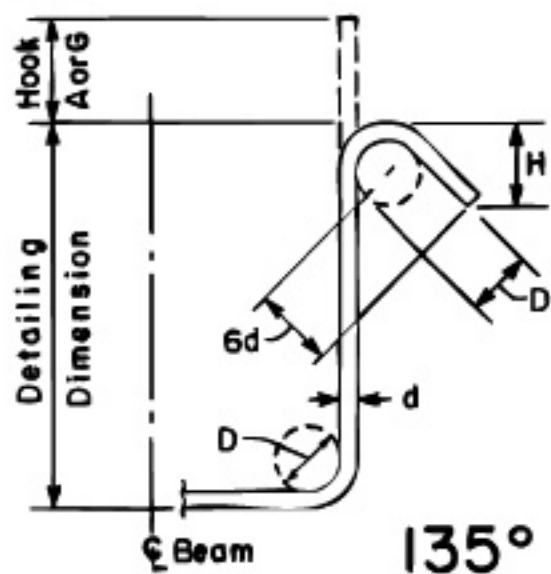
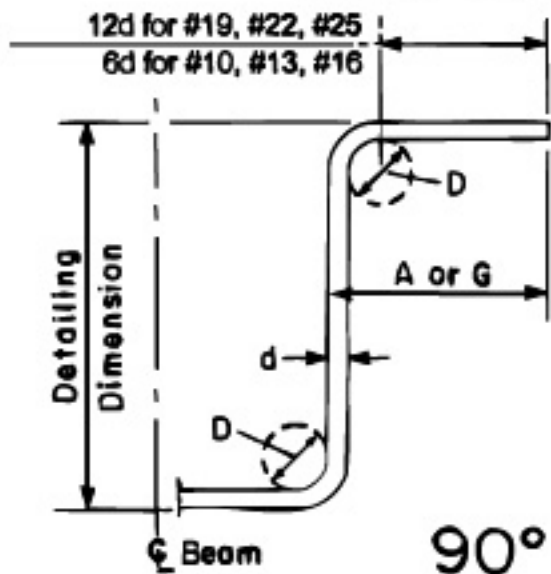


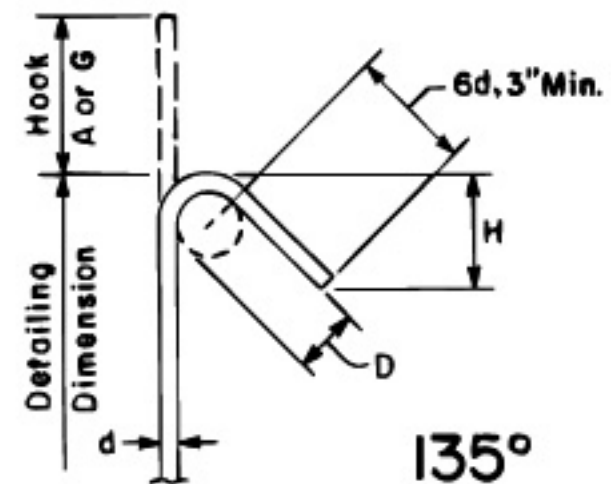
Standard Hooks, Stirrup and Tie Hooks



STIRRUP AND TIE HOOKS



135° SEISMIC STIRRUP/TIE HOOKS



STIRRUP AND TIE HOOK DIMENSIONS ALL GRADES OF STEEL

Bar Size	D, in. [mm]	90° Hook, ft-in. [mm]		135° Hook, in. [mm]	
		Hook A or G	Hook A or G	Hook A or G	H (Approx.)
#3 [#10]	1½ [40]	0-4 [105]	4 [105]	2½ [65]	
#4 [#13]	2 [50]	0-4½ [115]	4½ [115]	3 [80]	
#5 [#16]	2½ [65]	0-6 [155]	5½ [140]	3¾ [95]	
#6 [#19]	4½ [115]	1-0 [305]	8 [205]	4½ [115]	
#7 [#22]	5¼ [135]	1-2 [355]	9 [230]	5¼ [135]	
#8 [#25]	6 [155]	1-4 [410]	10½ [270]	6 [155]	

135° SEISMIC STIRRUP/TIE HOOK DIMENSIONS ALL GRADES OF STEEL

Bar Size	D, in. [mm]	135° Hook, in. [mm]	
		Hook A or G	H (Approx.)
#3 [#10]	1½ [40]	4¼ [110]	3 [80]
#4 [#13]	2 [50]	4½ [115]	3 [80]
#5 [#16]	2½ [65]	5½ [140]	3¾ [95]
#6 [#19]	4½ [115]	8 [205]	4½ [115]
#7 [#22]	5¼ [135]	9 [230]	5¼ [135]
#8 [#25]	6 [155]	10½ [270]	6 [155]